

Perspective 1

Perspective 2

Sr. No.	Description
1	Incoming Terminal Clamp
2	Embedded Pole Assembly
3	Current Transformer Housing
4	Outgoing Terminal Clamp
5	Base Tank
6	Lifting Hook
7	Position Indicator and Close Lever
8	Trip Lever Assy.
9	Earthing Terminal

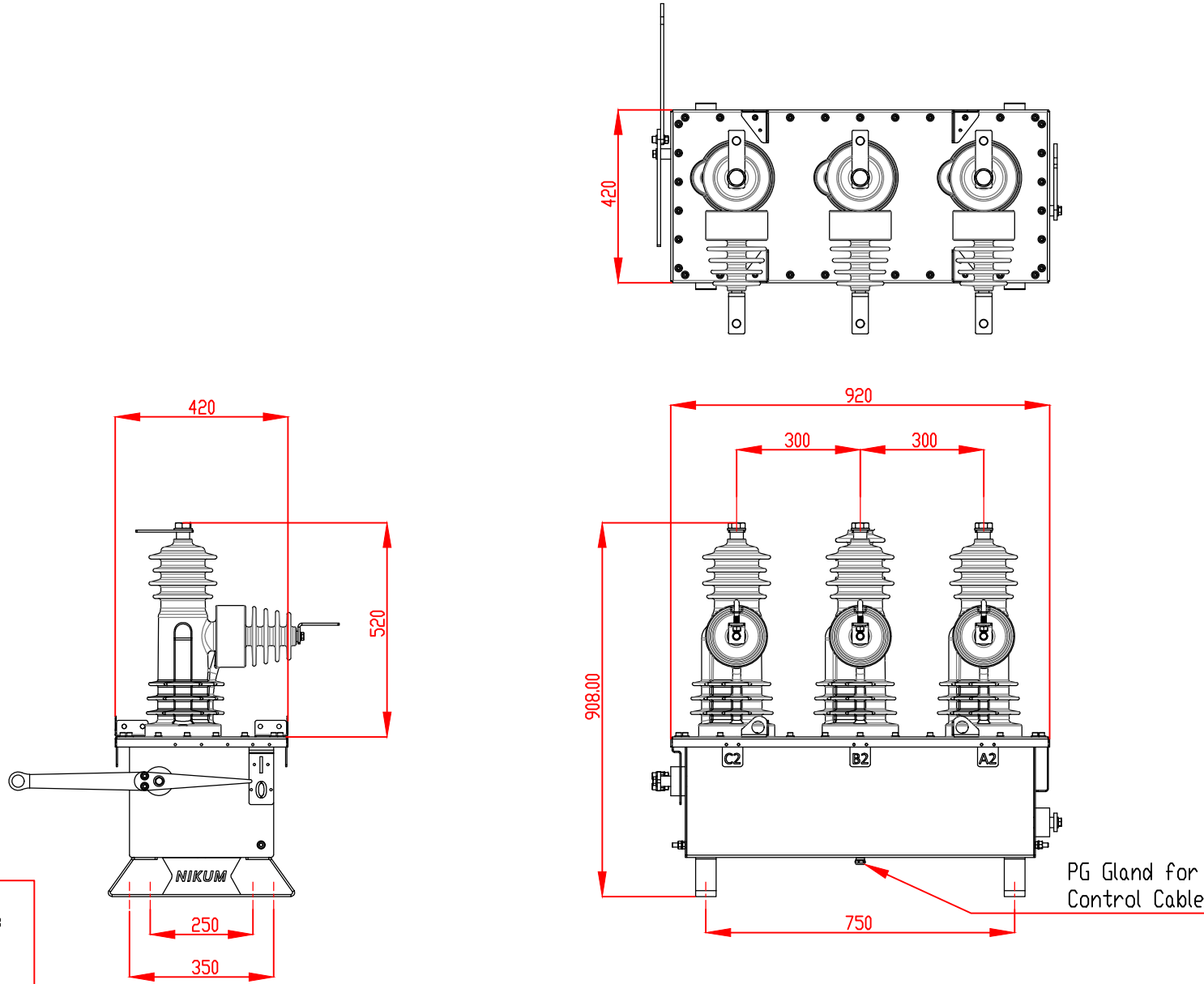
PROPRIETARY AND CONFIDENTIAL
 THE INFORMATION CONTAINED IN THIS
 DRAWING IS THE SOLE PROPERTY OF
 NIKUM ENERGY CONTROL INDIA LTD. ANY
 REPRODUCTION IN PART OR AS A WHOLE
 WITHOUT THE WRITTEN PERMISSION OF
 NIKUM ENERGY CONTROL INDIA LTD. IS
 PROHIBITED.



NIKUM ENERGY CONTROL INDIA LTD.
 Address - D 29, Phase A2, UPSIDC Industrial
 Area, Trans Delhi Signature City
 Ghaziabad, Uttar Pradesh, India - 201102
 E-mail - For support : support@nikum.co.in
 For sales : sales@nikum.co.in
 Website - www.nikum.co.in Phone - 85100 24873

UNLESS OTHERWISE SPECIFIED:
 DIMENSIONS ARE IN MM
 TOLERANCES
 UPTO 50 MM ± 2.5%
 51MM TO 100MM ± 1.5%
 101MM TO 300MM ± 0.75%
 ABOVE 300MM ± 0.5%

TITLE: GENERAL ARRANGEMENT_12kv_AUTO RECLOSER/SECTIONALIZER				
DWN BY	F R	RELAEASE DATE :15/09/2018	SCALE : NTS	SIZE A4
CHK BY	R H	ID NO. : AVR12-3R0	WEIGHT : SEE DRG.	REV : 0
APP BY	T H	DOC. NO. : GA-AVR12-3R0-1	MATERIAL : SEE DRG.	SHEET : 1 OF 4



INDICATED DIMENSIONS ARE
SUBJECTED TO MANUFACTURING
TOLERANCE OF $\pm 5\%$.

Note:
Mounting Coordinates:
750X250
750X350
(To Suit M16 Fasteners)

Weight	IP Class
150kg (approx)	IP65

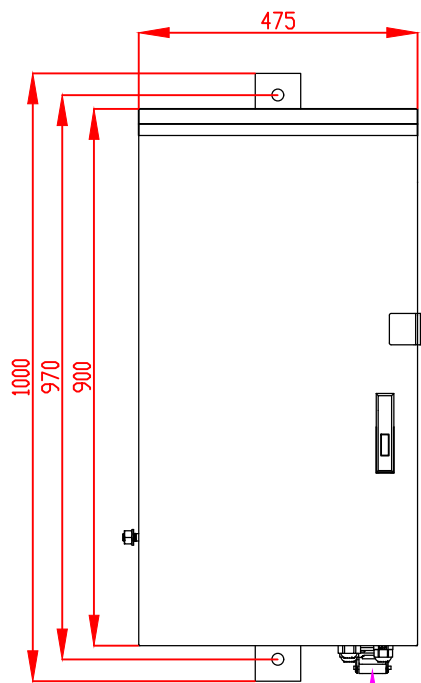
PROPRIETARY AND CONFIDENTIAL
THE INFORMATION CONTAINED IN THIS
DRAWING IS THE SOLE PROPERTY OF
NIKUM ENERGY CONTROL INDIA LTD. ANY
REPRODUCTION IN PART OR AS A WHOLE
WITHOUT THE WRITTEN PERMISSION OF
NIKUM ENERGY CONTROL INDIA LTD. IS
PROHIBITED.



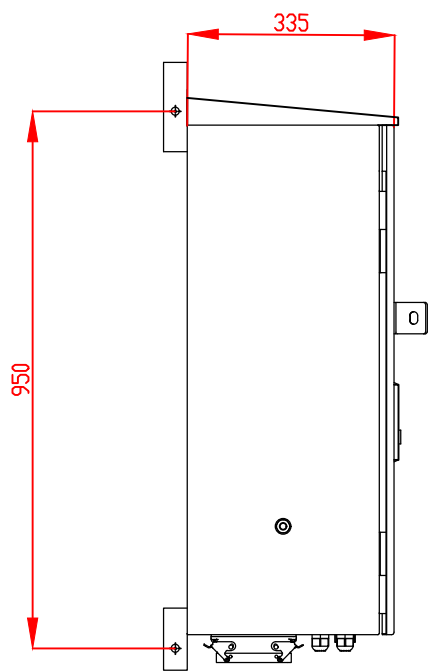
NIKUM ENERGY CONTROL INDIA LTD.
Address - D 29, Phase A2, UPSIDC Industrial
Area, Trans Delhi Signature City
Ghaziabad, Uttar Pradesh, India - 201102
E-mail - For support : support@nikum.co.in
For sales : sales@nikum.co.in
Website - www.nikum.co.in Phone - 85100 24873

UNLESS OTHERWISE SPECIFIED,
DIMENSIONS ARE IN MM
TOLERANCES
UPTO 50 MM $\pm 2.5\%$
51MM TO 100MM $\pm 1.5\%$
101MM TO 300MM $\pm 0.75\%$
ABOVE 300MM $\pm 0.5\%$

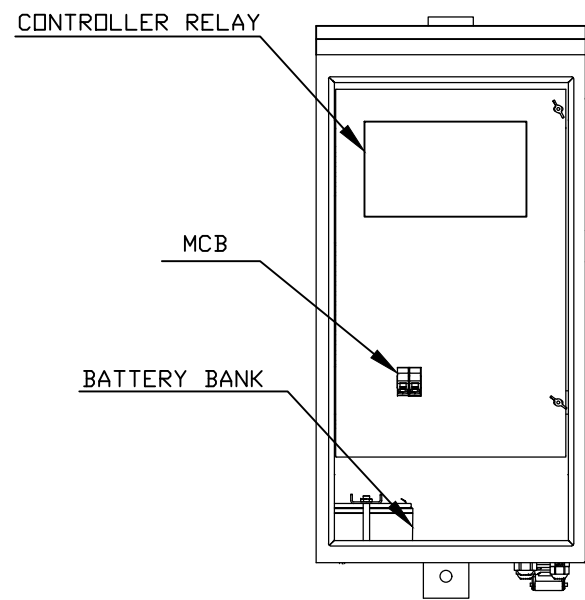
TITLE: GENERAL ARRANGEMENT_12kv_AUTO RECLOSER/SECTIONALIZER				
DWN BY	F R	RELEASE DATE :15/09/2018	SCALE : NTS	SIZE :A4
CHK BY	R H	ID NO. : AVR12-3R0	WEIGHT : SEE DRG.	REV : 0
APP BY	T H	DOC. NO. : GA-AVR12-3R0-1	MATERIAL : SEE DRG.	SHEET : 2 OF 4



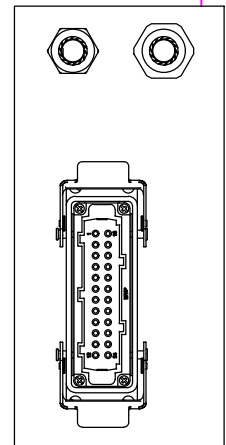
FRONT VIEW



SIDE VIEW



FRONT VIEW
(with front door open)



24 Pin DIN conn.
for control cable
conn.

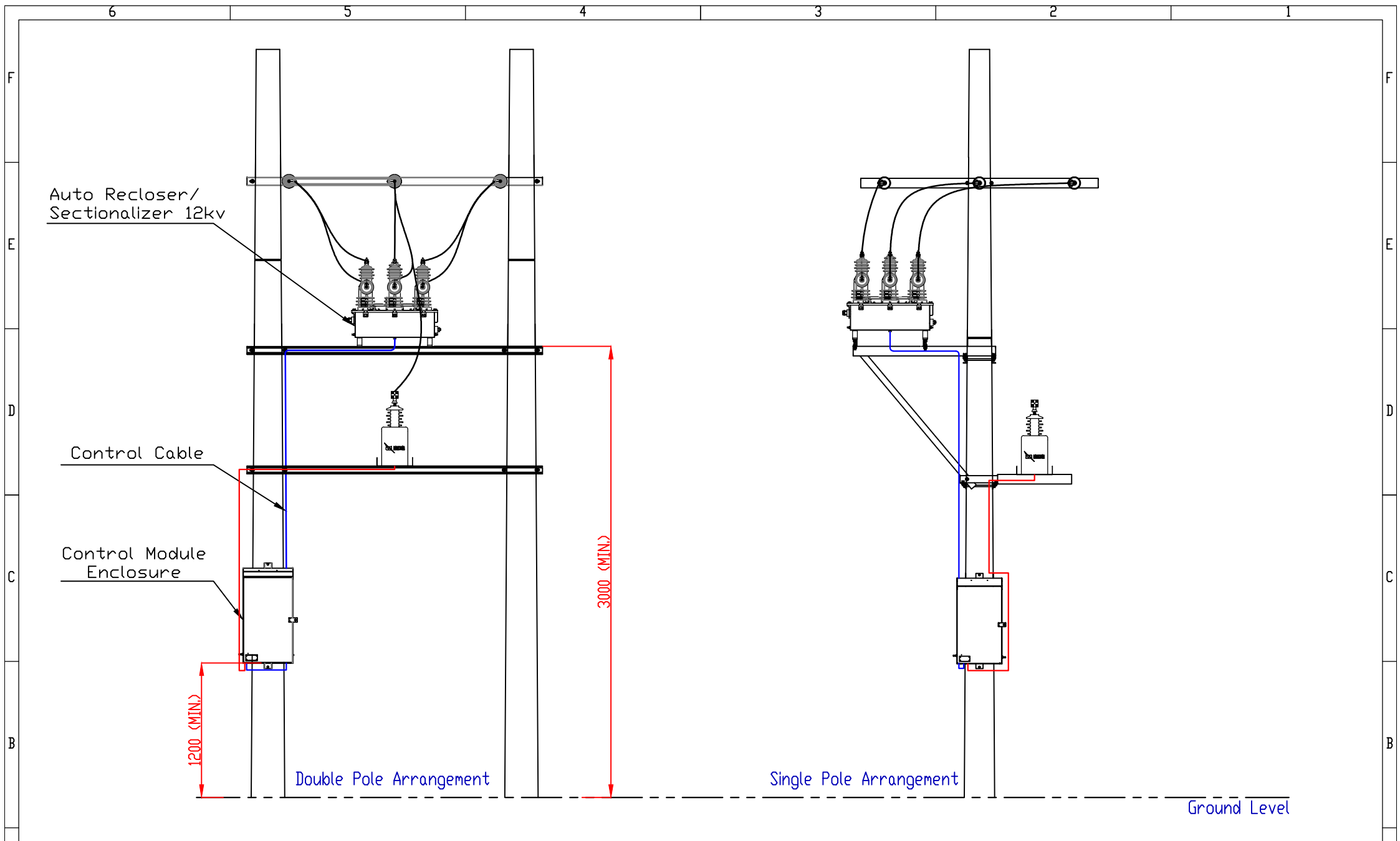
PROPRIETARY AND CONFIDENTIAL
THE INFORMATION CONTAINED IN THIS
DRAWING IS THE SOLE PROPERTY OF
NIKUM ENERGY CONTROL INDIA LTD. ANY
REPRODUCTION IN PART OR AS A WHOLE
WITHOUT THE WRITTEN PERMISSION OF
NIKUM ENERGY CONTROL INDIA LTD. IS
PROHIBITED.



NIKUM ENERGY CONTROL INDIA LTD.
Address - D 29, Phase A2, UPSIDC Industrial
Area, Trans Delhi Signature City
Ghaziabad, Uttar Pradesh, India - 201102
E-mail - For support : support@nikum.co.in
For sales : sales@nikum.co.in
Website - www.nikum.co.in Phone - 85100 24873

UNLESS OTHERWISE SPECIFIED:
DIMENSIONS ARE IN MM
TOLERANCES
UPTO 50 MM ± 2.5%
51MM TO 100MM ± 1.5%
101MM TO 300MM ± 0.75%
ABOVE 300MM ± 0.5%

TITLE: GENERAL ARRANGEMENT_12kv_AUTO RECLOSER/SECTIONALIZER				
DWN BY	F R	RELAEASE DATE :15/09/2018	SCALE : NTS	SIZE A4
CHK BY	R H	ID NO. : AVR12-3R0	WEIGHT : SEE DRG.	REV : 0
APP BY	T H	DOC. NO. : GA-AVR12-3R0-1	MATERIAL : SEE DRG.	SHEET : 3 OF 4



PROPRIETARY AND CONFIDENTIAL
 THE INFORMATION CONTAINED IN THIS
 DRAWING IS THE SOLE PROPERTY OF
 NIKUM ENERGY CONTROL INDIA LTD. ANY
 REPRODUCTION IN PART OR AS A WHOLE
 WITHOUT THE WRITTEN PERMISSION OF
 NIKUM ENERGY CONTROL INDIA LTD. IS
 PROHIBITED.



NIKUM ENERGY CONTROL INDIA LTD.
 Address - D 29, Phase A2, UPSIDC Industrial
 Area, Trans Delhi Signature City
 Ghaziabad, Uttar Pradesh, India - 201102
 E-mail - For support : support@nikum.co.in
 For sales : sales@nikum.co.in
 Website - www.nikum.co.in Phone - 85100 24873

UNLESS OTHERWISE SPECIFIED,
 DIMENSIONS ARE IN MM
 TOLERANCES
 UPTO 50 MM ± 2.5%
 51MM TO 100MM ± 1.5%
 101MM TO 300MM ± 0.75%
 ABOVE 300MM ± 0.5%

TITLE: GENERAL ARRANGEMENT_12kv_AUTO RECLOSER/SECTIONALIZER				
DWN BY	F R	RELAEASE DATE :15/09/2018	SCALE : NTS	SIZE A4
CHK BY	R H	ID NO. : AVR12-3R0	WEIGHT : SEE DRG.	REV : 0
APP BY	T H	DOC. NO. : GA-AVR12-3R0-1	MATERIAL : SEE DRG.	SHEET : 4 OF 4