

Perspective 1

Perspective 2

Sr. No.	Description
1	Incoming Terminal Clamp
2	Embedded Pole Assembly
3	Current Transformer Housing
4	Outgoing Terminal Clamp
5	Base Tank
6	Lifting Hook
7	Position Indicator and Close Lever
8	Trip Lever Assy.
9	Earthing Terminal

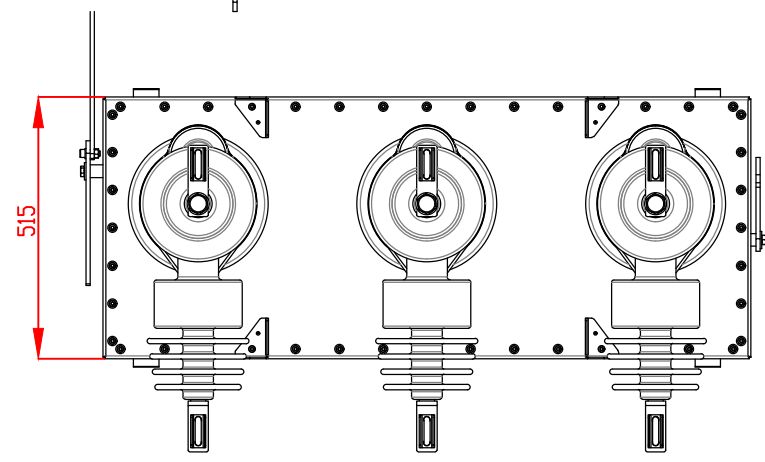
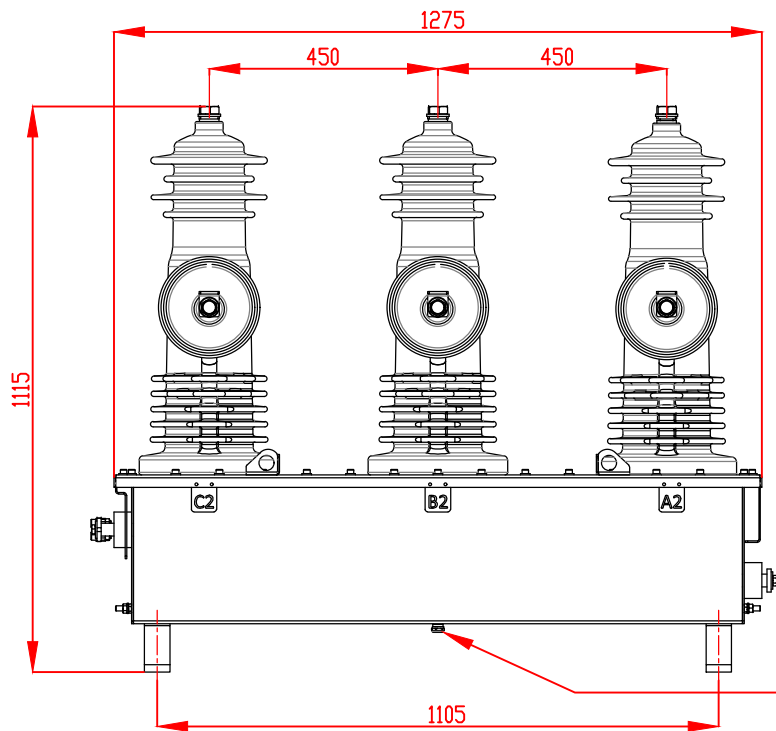
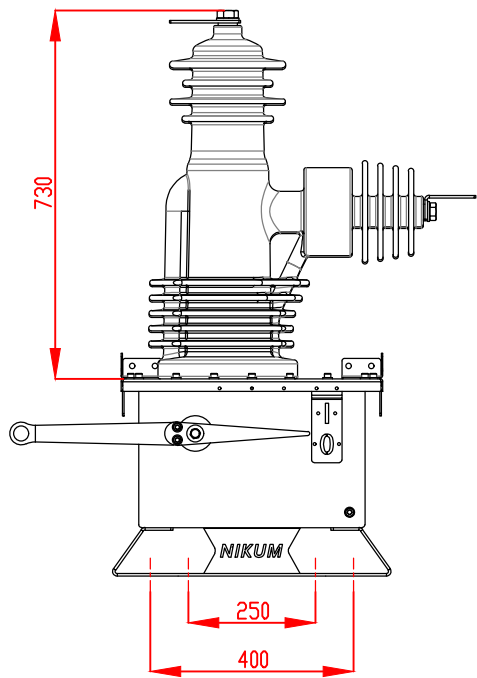
PROPRIETARY AND CONFIDENTIAL  
 THE INFORMATION CONTAINED IN THIS  
 DRAWING IS THE SOLE PROPERTY OF  
 NIKUM ENERGY CONTROL INDIA LTD. ANY  
 REPRODUCTION IN PART OR AS A WHOLE  
 WITHOUT THE WRITTEN PERMISSION OF  
 NIKUM ENERGY CONTROL INDIA LTD. IS  
 PROHIBITED.



**NIKUM ENERGY CONTROL INDIA LTD.**  
 Address - D 29, Phase A2, UPSIDC Industrial  
 Area, Trans Delhi Signature City  
 Ghaziabad, Uttar Pradesh, India - 201102  
 E-mail - For support : support@nikum.co.in  
 For sales : sales@nikum.co.in  
 Website - www.nikum.co.in Phone - 85100 24873

UNLESS OTHERWISE SPECIFIED:  
 DIMENSIONS ARE IN MM  
 TOLERANCES  
 UPTO 50 MM ± 2.5%  
 51MM TO 100MM ± 1.5%  
 101MM TO 300MM ± 0.75%  
 ABOVE 300MM ± 0.5%

TITLE: GENERAL ARRANGEMENT_36kv_AUTO RECLOSER/SECTIONALIZER				
DWN BY	F R	RELAEASE DATE :06/08/2018	SCALE : NTS	SIZE :A4
CHK BY	R H	ID NO. : AVR36-3R0	WEIGHT : SEE DRG.	REV : 0
APP BY	T H	DOC. NO. : GA-AVR36-3R0-1	MATERIAL : SEE DRG.	SHEET : 1 OF 4



PG Gland for Control Cable

INDICATED DIMENSIONS ARE  
SUBJECTED TO MANUFACTURING  
TOLERANCE OF  $\pm 5\%$

Note:  
Mounting Coordinates:  
1105X250 & 1105X400  
(To Suit M16 Fasteners)

Weight	IP Class
250kg (approx)	IP65

PROPRIETARY AND CONFIDENTIAL  
THE INFORMATION CONTAINED IN THIS  
DRAWING IS THE SOLE PROPERTY OF  
NIKUM ENERGY CONTROL INDIA LTD. ANY  
REPRODUCTION IN PART OR AS A WHOLE  
WITHOUT THE WRITTEN PERMISSION OF  
NIKUM ENERGY CONTROL INDIA LTD. IS  
PROHIBITED.

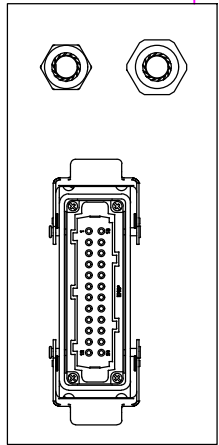
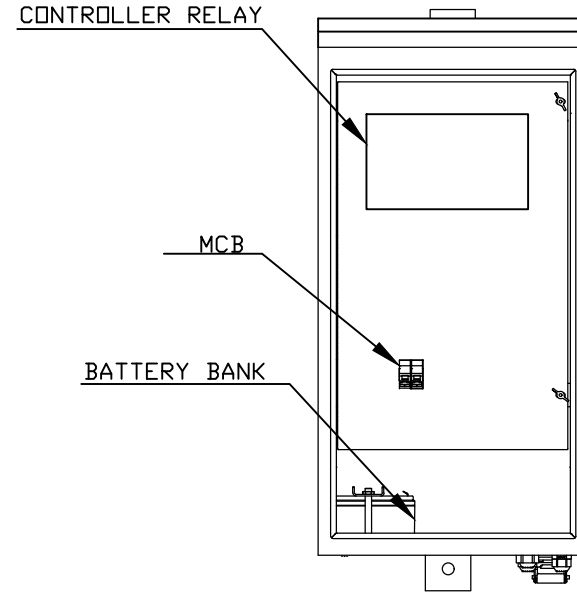
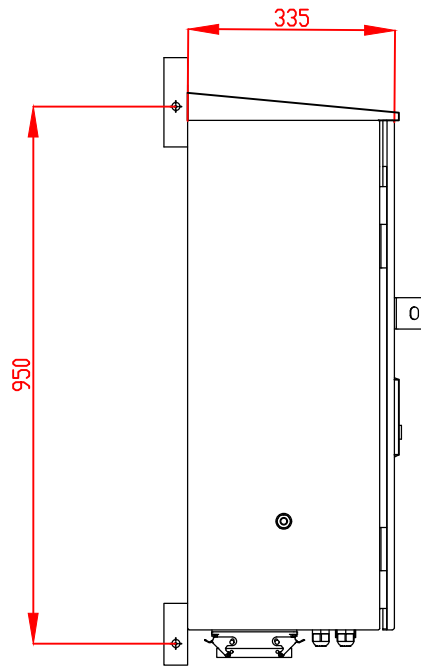
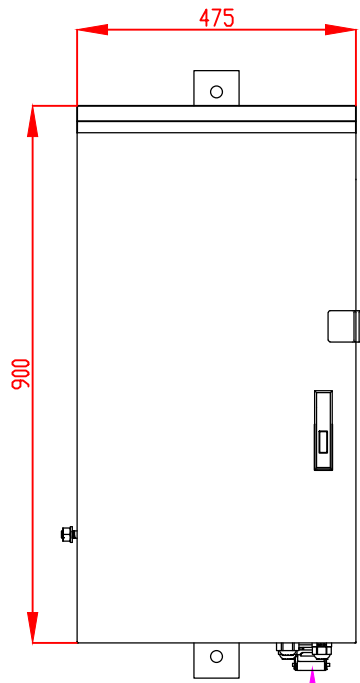


**NIKUM ENERGY CONTROL INDIA LTD.**  
Address - D 29, Phase A2, UPSIDC Industrial  
Area, Trans Delhi Signature City  
Ghaziabad, Uttar Pradesh, India - 201102  
E-mail - For support : support@nikum.co.in  
For sales : sales@nikum.co.in  
Website - www.nikum.co.in Phone - 85100 24873

UNLESS OTHERWISE SPECIFIED:  
DIMENSIONS ARE IN MM  
TOLERANCES  
UPTO 50 MM  $\pm 2.5\%$   
51MM TO 100MM  $\pm 1.5\%$   
101MM TO 300MM  $\pm 0.75\%$   
ABOVE 300MM  $\pm 0.5\%$

TITLE: GENERAL ARRANGEMENT\_36kv\_AUTO RECLOSER/SECTIONALIZER

DWN BY	F R	RELAEASE DATE :06/08/2018	SCALE : NTS	SIZE :A4
CHK BY	R H	ID NO. : AVR36-3R0	WEIGHT : SEE DRG.	REV : 0
APP BY	T H	DOC. NO. : GA-AVR36-3R0-1	MATERIAL : SEE DRG.	SHEET : 2 OF 4



24 Pin DIN conn.  
for control cable  
conn.

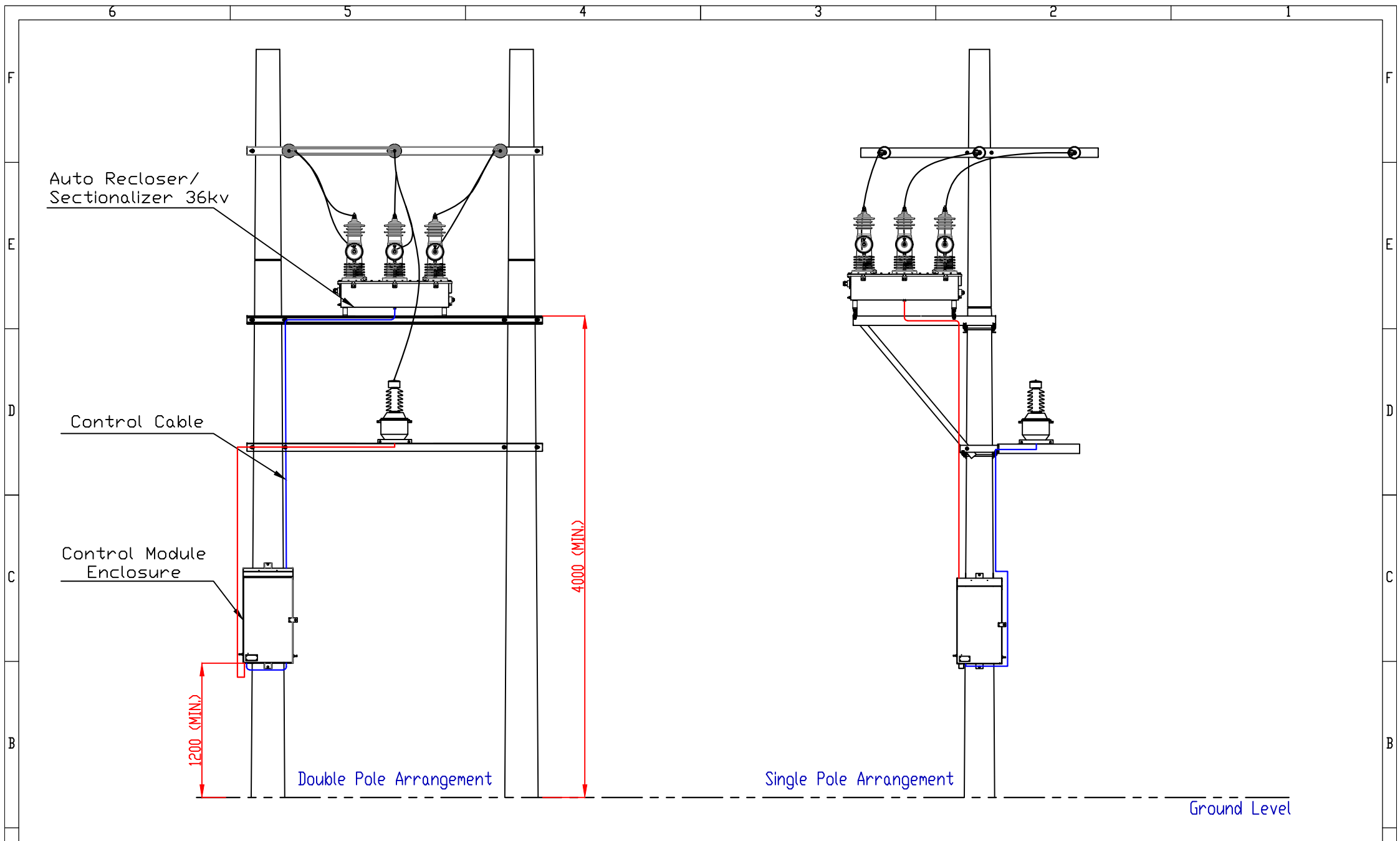
PROPRIETARY AND CONFIDENTIAL  
THE INFORMATION CONTAINED IN THIS  
DRAWING IS THE SOLE PROPERTY OF  
NIKUM ENERGY CONTROL INDIA LTD. ANY  
REPRODUCTION IN PART OR AS A WHOLE  
WITHOUT THE WRITTEN PERMISSION OF  
NIKUM ENERGY CONTROL INDIA LTD. IS  
PROHIBITED.



**NIKUM ENERGY CONTROL INDIA LTD.**  
Address - D 29, Phase A2, UPSIDC Industrial  
Area, Trans Delhi Signature City  
Ghaziabad, Uttar Pradesh, India - 201102  
E-mail - For support : support@nikum.co.in  
For sales : sales@nikum.co.in  
Website - www.nikum.co.in Phone - 85100 24873

UNLESS OTHERWISE SPECIFIED,  
DIMENSIONS ARE IN MM  
TOLERANCES  
UPTO 50 MM ± 2.5%  
51MM TO 100MM ± 1.5%  
101MM TO 300MM ± 0.75%  
ABOVE 300MM ± 0.5%

TITLE: GENERAL ARRANGEMENT_36kv_AUTO RECLOSER/SECTIONALIZER				
DWN BY	F R	RELAEASE DATE :06/08/2018	SCALE : NTS	SIZE :A4
CHK BY	R H	ID NO. : AVR36-3R0	WEIGHT : SEE DRG.	REV : 0
APP BY	T H	DOC. NO. : GA-AVR36-3R0-1	MATERIAL : SEE DRG.	SHEET : 3 OF 4



PROPRIETARY AND CONFIDENTIAL  
 THE INFORMATION CONTAINED IN THIS  
 DRAWING IS THE SOLE PROPERTY OF  
 NIKUM ENERGY CONTROL INDIA LTD. ANY  
 REPRODUCTION IN PART OR AS A WHOLE  
 WITHOUT THE WRITTEN PERMISSION OF  
 NIKUM ENERGY CONTROL INDIA LTD. IS  
 PROHIBITED.



**NIKUM ENERGY CONTROL INDIA LTD.**  
 Address - D 29, Phase A2, UPSIDC Industrial  
 Area, Trans Delhi Signature City  
 Ghaziabad, Uttar Pradesh, India - 201102  
 E-mail - For support : support@nikum.co.in  
 For sales : sales@nikum.co.in  
 Website - www.nikum.co.in Phone - 85100 24873

UNLESS OTHERWISE SPECIFIED,  
 DIMENSIONS ARE IN MM  
 TOLERANCES  
 UPTO 50 MM ± 2.5%  
 51MM TO 100MM ± 1.5%  
 101MM TO 300MM ± 0.75%  
 ABOVE 300MM ± 0.5%

TITLE: GENERAL ARRANGEMENT_36kv_AUTO RECLOSER/SECTIONALIZER				
DWN BY	F R	RELAEASE DATE	06/08/2018	SCALE : NTS
CHK BY	R H	ID NO. :	AVR36-3R0	WEIGHT : SEE DRG.
APP BY	T H	DOC. NO. :	GA-AVR36-3R0-1	MATERIAL : SEE DRG.
				SIZE <b>A4</b>
				REV :
				SHEET : 4 OF 4